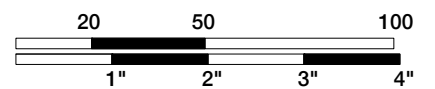


fig1. front view



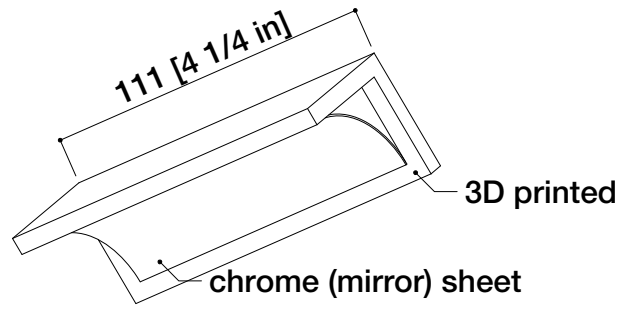


fig3. LED mount
reflection unit (no scale)

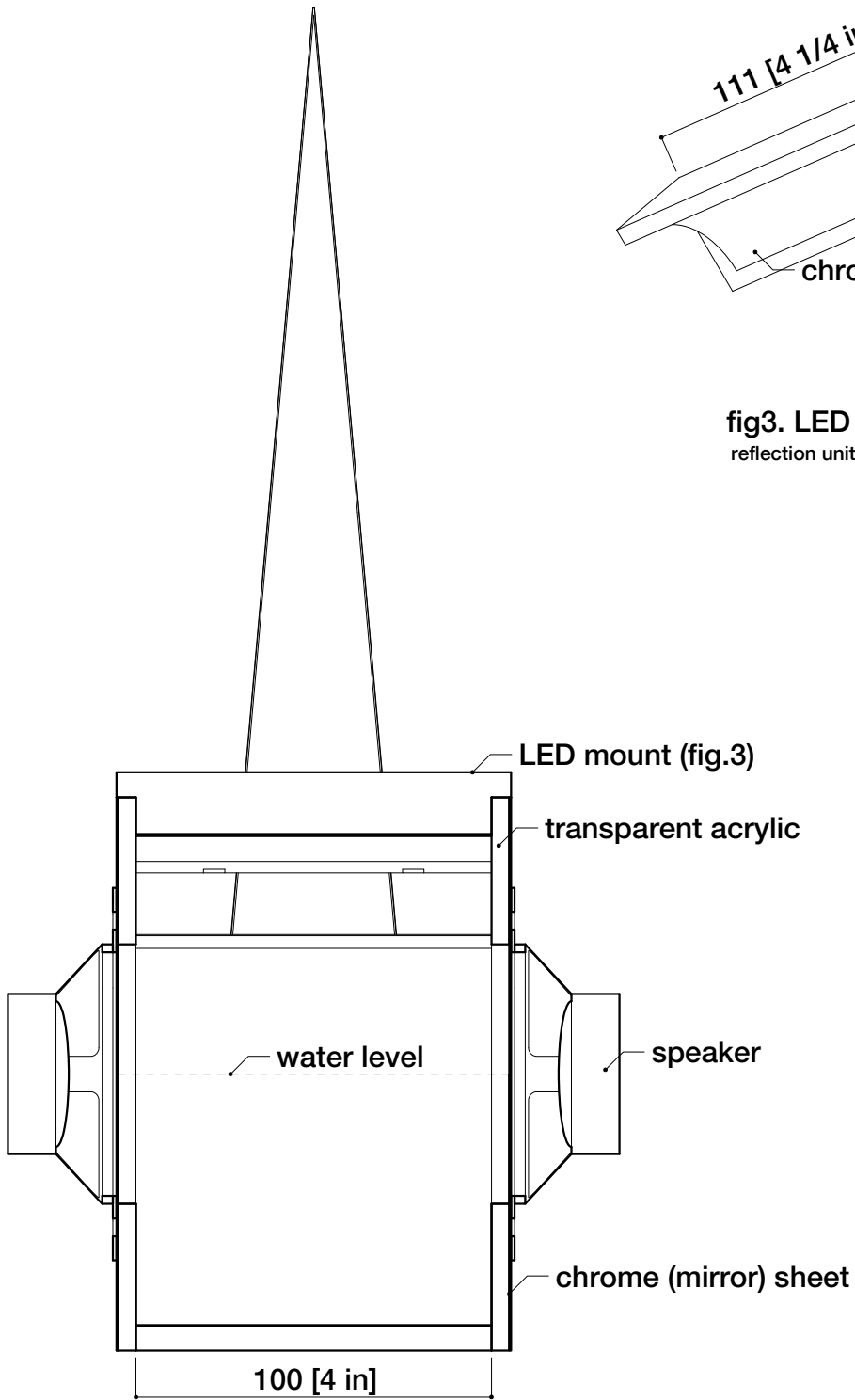


fig2. section

