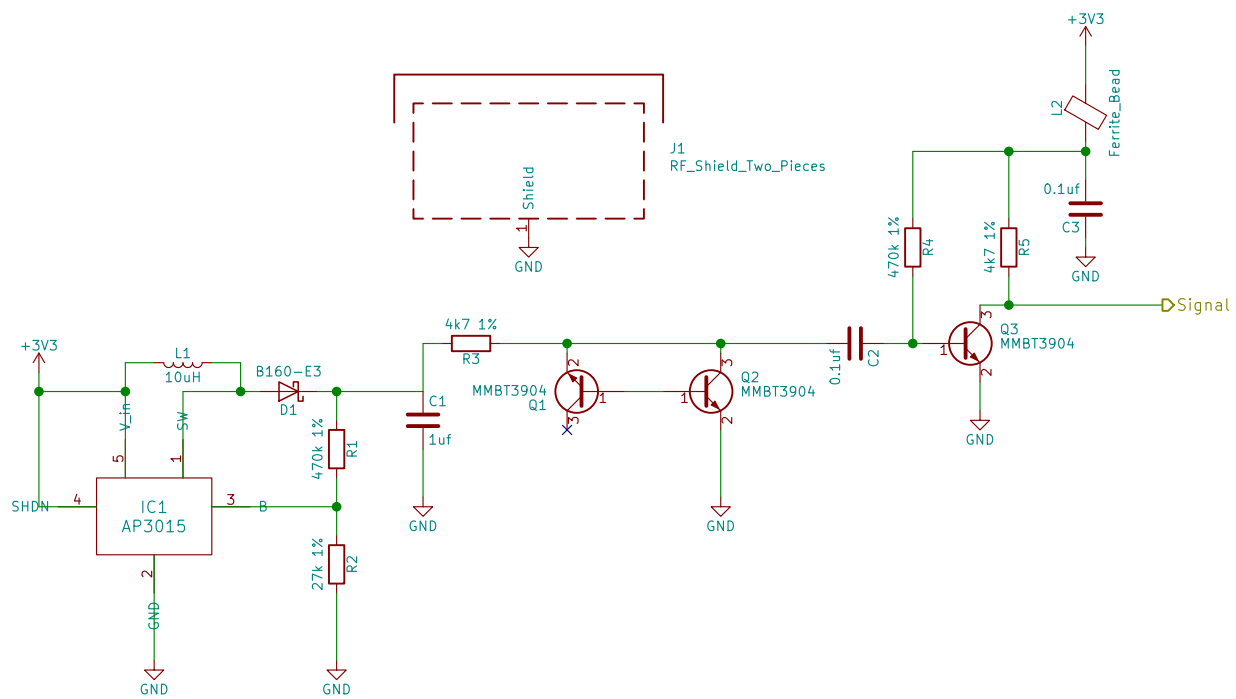


Sheet: /	
File: board.sch	
Title: hwpm Main Schematic	
Size: A4	Date:
KiCad E.D.A. kicad no-vcs-found-28997e760ubuntu16.04.1	Rev:
	Id: 1/2



Sheet: /NoiseSource/
 File: NoiseSource.sch

Title: hwpm Avalanche Noise Source

Size: A4 Date:
 KiCad E.D.A. kicad no-vcs-found-28997e760ubuntu16.04.1

Rev:
 Id: 2/2