

4

3

2

1

D

D

C

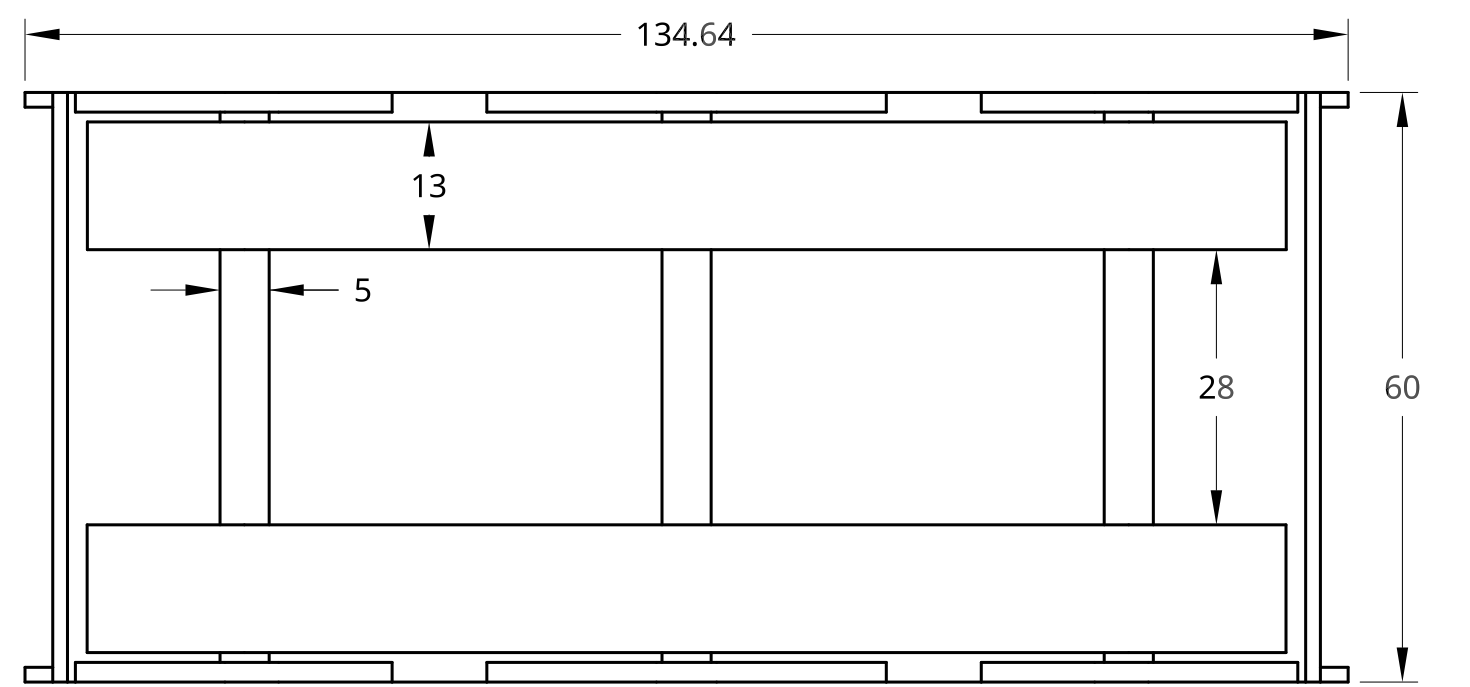
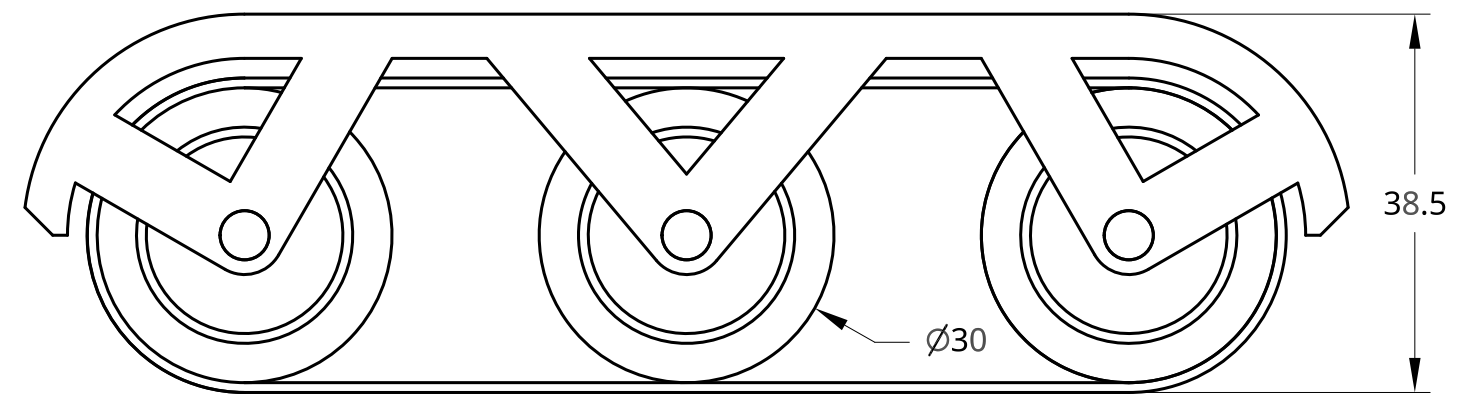
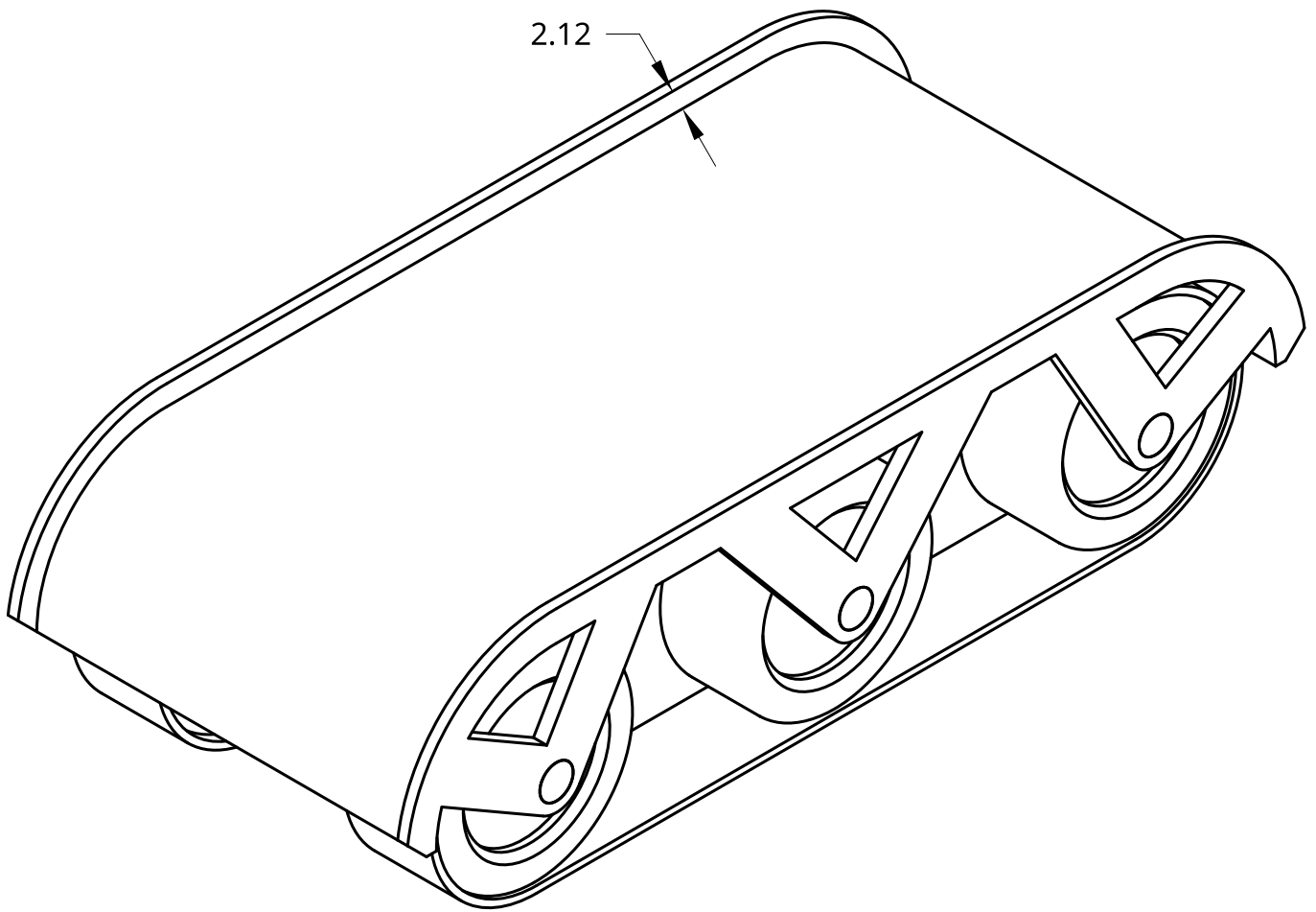
C


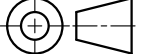
B

B

A

A



UNLESS OTHERWISE SPECIFIED, DIMENSIONS ARE IN MILLIMETERS  ANGULAR = ± °  SURFACE FINISH   DO NOT SCALE DRAWING  BREAK ALL SHARP EDGES AND REMOVE BURRS  THIRD ANGLE PROJECTION  		NAME	DATE	TITLE <h3 style="text-align: center;">Week 1: CAD Final Project Idea</h3> <p style="text-align: center;">----</p>			
	DRAWN	Julia Ebert	09/08/2017				
	CHECKED						
	APPROVED			SIZE	DWG NO.	REV.	
					<b>B</b>		-
	MATERIAL	FINISH	SCALE	1.3:1	WEIGHT	SHEET	1 of 1

4

3

2

1