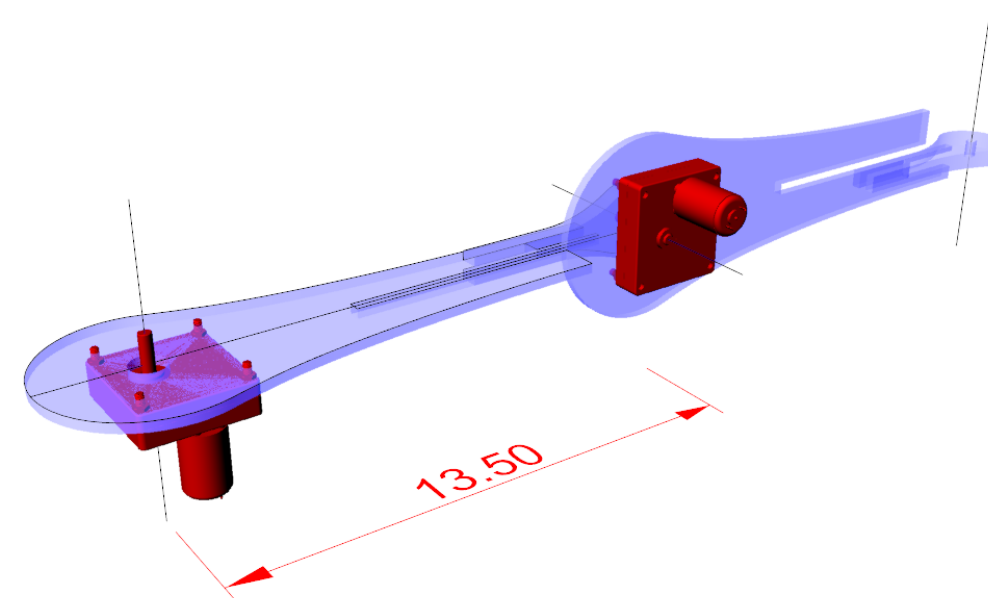
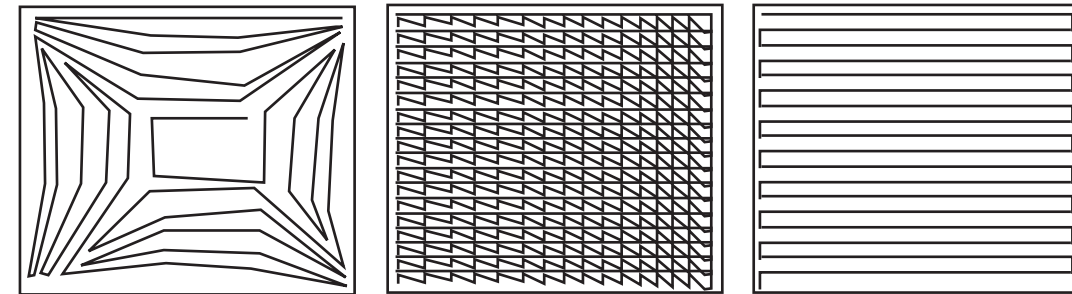


### Chain Assembly:

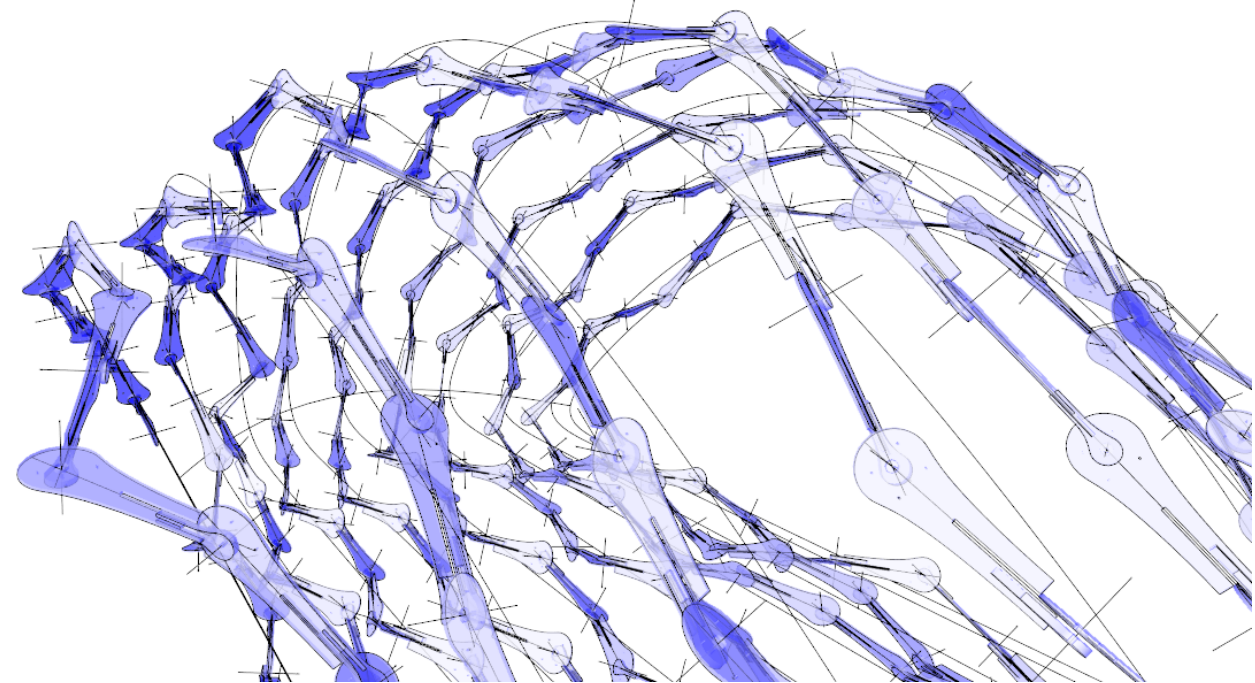
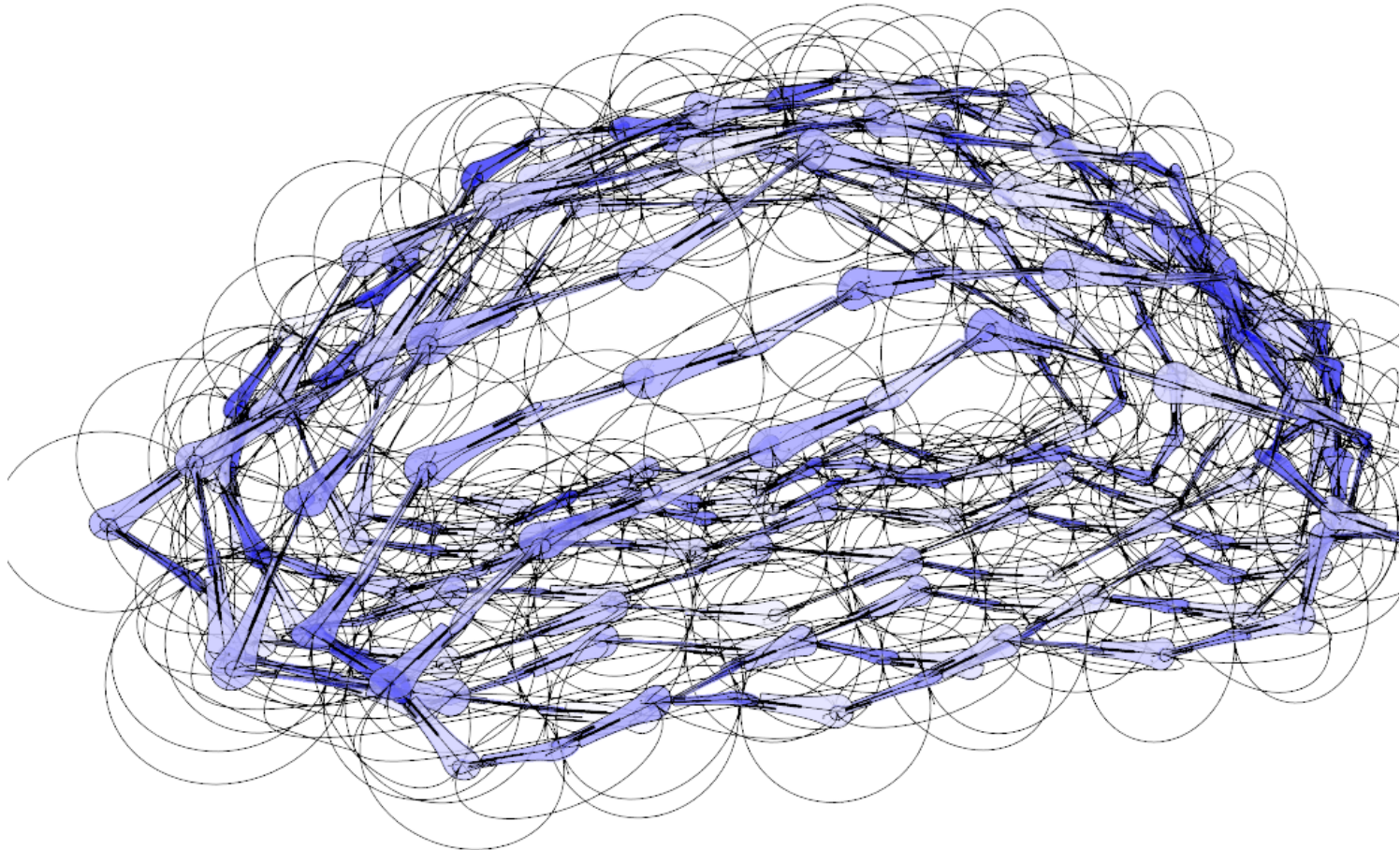
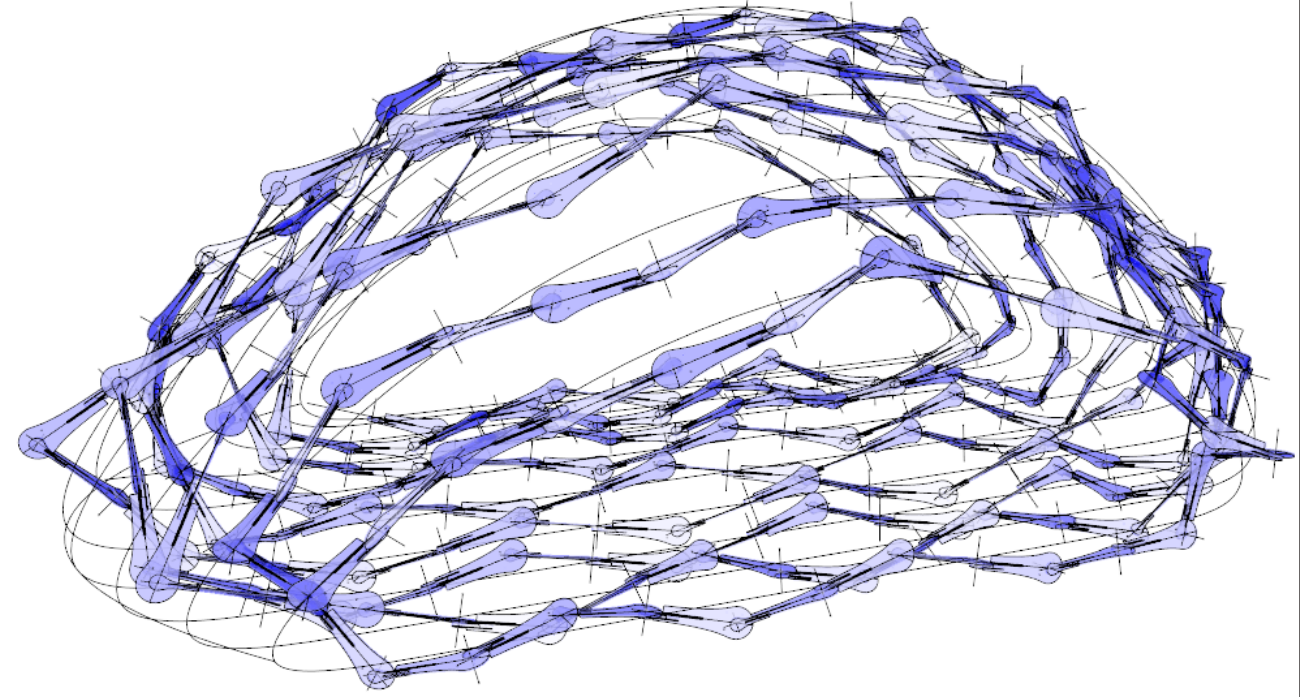
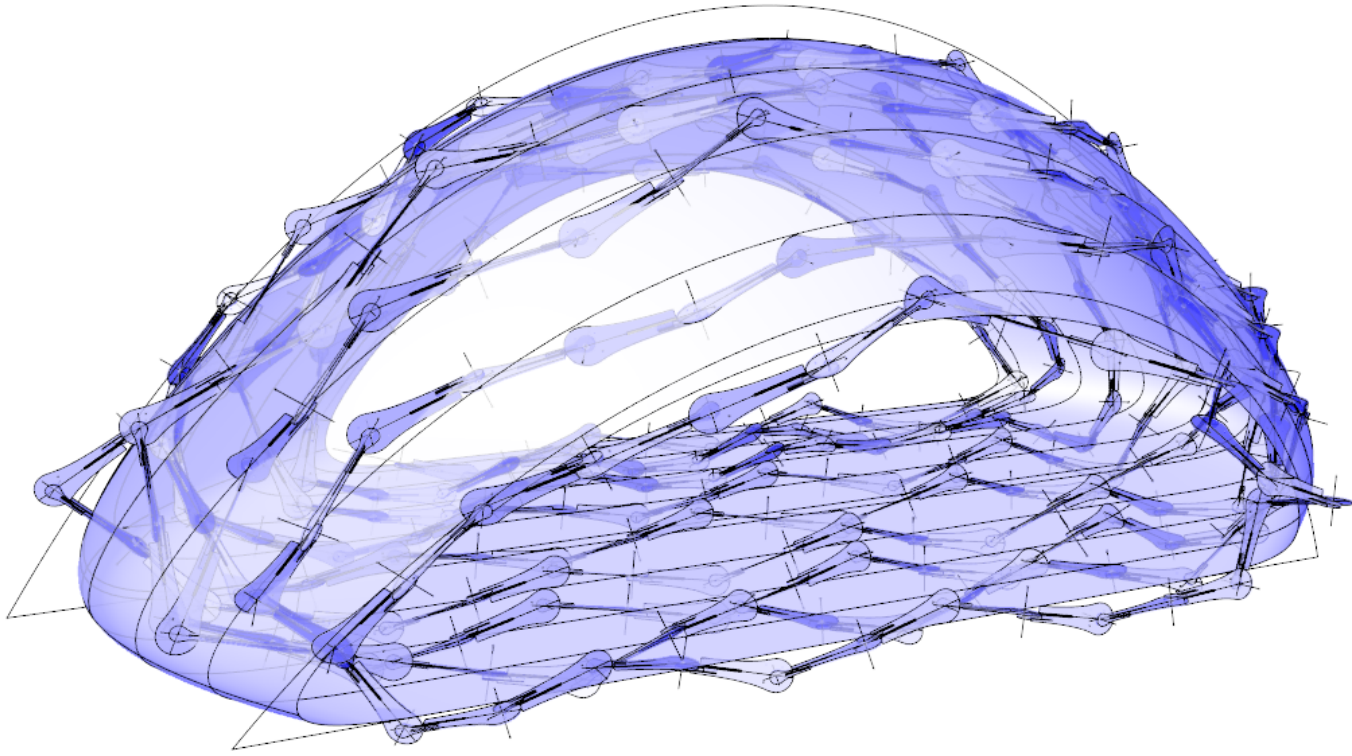
- Select Base Surface
- Select Base Component
- Extract Surface Domain U/V
- For each domain pt:
  - Orient component based on previous normal
  - Rotate component on axis for best approximation of pt



BOARD TITLE:  
**Protein Strand  
 Form Growth**  
 2 Motor Rotation  
 BOARD #:  
**1/1**

GROUP/DESIGNER'S NAME:  
 Skylar Tibbits  
 TOPIC :  
 \_\_\_\_\_  
 \_\_\_\_\_  
 \_\_\_\_\_





# ACTIVE ELEMENTS

MIT: How to Make Something that Makes (Almost) Anything

BOARD TITLE:  
**Protein Strand  
Form Growth**  
2 Motor Rotation  
BOARD #:  
**1/1**

GROUP/DESIGNER'S NAME:  
Skylar Tibbits  
TOPIC: